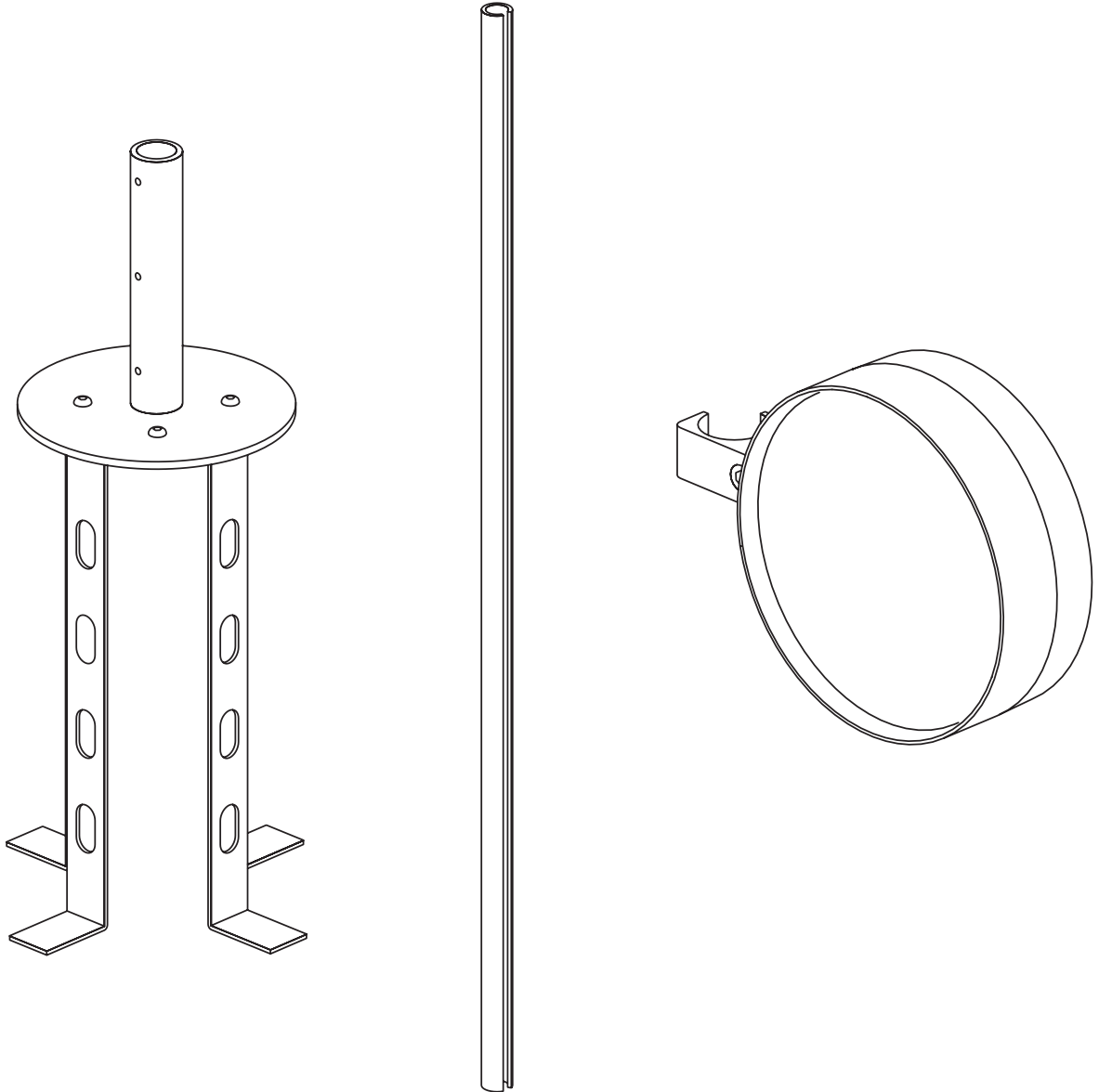


OUTDOOR / STICK



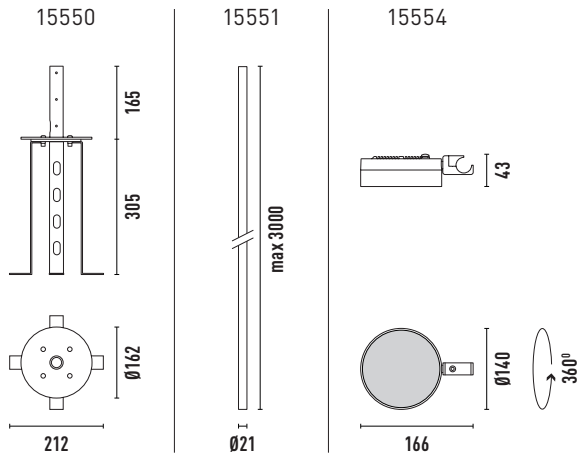
Clight



| OUTDOOR | Pole Lights |

STICK

This versatile pole light family, adjustable up to 3 meters, is designed to enhance and guide through outdoor spaces. Its multi-axis adjustments and capacity for multiple 'Stick heads' ensure well-lit pathways, making it a perfect tool for illuminating and defining the functions of various areas. Easy to install in gardens, terraces, and more, it suits both tranquil and social settings. With mounting options for walls, ceilings, and floors, it offers a complete and adaptable lighting solution.



W	°K	Lm	Optics	CRI	Protection
10	3000	694	36°	≥90	IP65

CARTON

dim. L49.5*W26.5*H27cm (15550)

L305*W22*H16.5cm (15551)

L64.5*W32*H26.5cm (15554)

cbm 0.035 (15550), 0.111 (15551),
0.055 (15554)

pcs. 1 (15550), 25 (15551), 20 (15554)

net w. 2.4kg (15550), 29.3kg (15551),
12kg (15554)

gross w. 2.9kg (15550), 37.2kg (15551),
13.8kg (15554)

FINISHES / SKU

Black



15550 + 15551 | 512 € 15551

15554

FEATURES

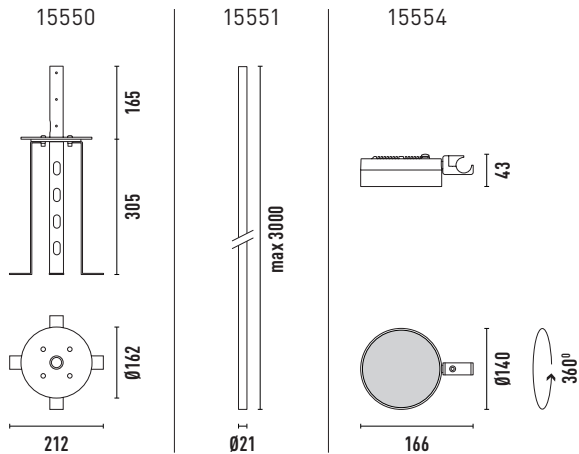
- Features a movement system enabling a full 360° rotation in one axis.
- Die-cast aluminum body.
- Base Stick (15550) comes with 2 End Caps.
- Pole Stick (15551) comes with 2 End Caps.
- LED light source included.
- Equipped with a 5-meter double cable gland for flexible electrical connection.





STICK SHORT

This compact version of Stick Family, ideal for pathway and area lighting, brings focused illumination to outdoor spaces. Customizable up to a shorter height, it's specifically designed for floor installation. It effectively lights up walkways and specific areas, enhancing safety and ambiance. Easy to install, it's perfectly suited for lighting up gardens and open spaces with its targeted and efficient illumination.



W	°K	Lm	Optics	CRI	Protection
10	3000	694	36°	≥90	IP65

CARTON

dim. L49.5*W26.5*H27cm (15550)

L305*W22*H16.5cm (15551)

L64.5*W32*H26.5cm (15554)

cbm 0.035 (15550), 0.111 (15551),
0.055 (15554)

pcs. 1 (15550), 25 (15551), 20 (15554)

net w. 2.4kg (15550), 29.3kg (15551),
12kg (15554)

gross w. 2.9kg (15550), 37.2kg (15551),
13.8kg (15554)

FINISHES / SKU

Black

15550 + 15551 | 512 € 15551

15554 | 482 €

FEATURES

- Features a movement system enabling a full 360° rotation in one axis.
- Die-cast aluminum body.
- Base Stick (15550) comes with 2 End Caps.
- Pole Stick (15551) comes with 2 End Caps.
- LED light source included.
- Equipped with a 5-meter double cable gland for flexible electrical connection.



HEADQUARTER

Beit Ha-Defus St. 12
9548315 Jerusalem
Israel

SHOWROOM

Hatnufa 7 St.
9342207 Jerusalem
Israel

LOGISTIC CENTER

Tsela ha-Har St. 47
7178127 Modein
Israel

T +972 (2) 6727811/2
F +972 (2) 6727813

office@clight-led.com
export@clight-led.com

Clight

by **Cabasso Group**