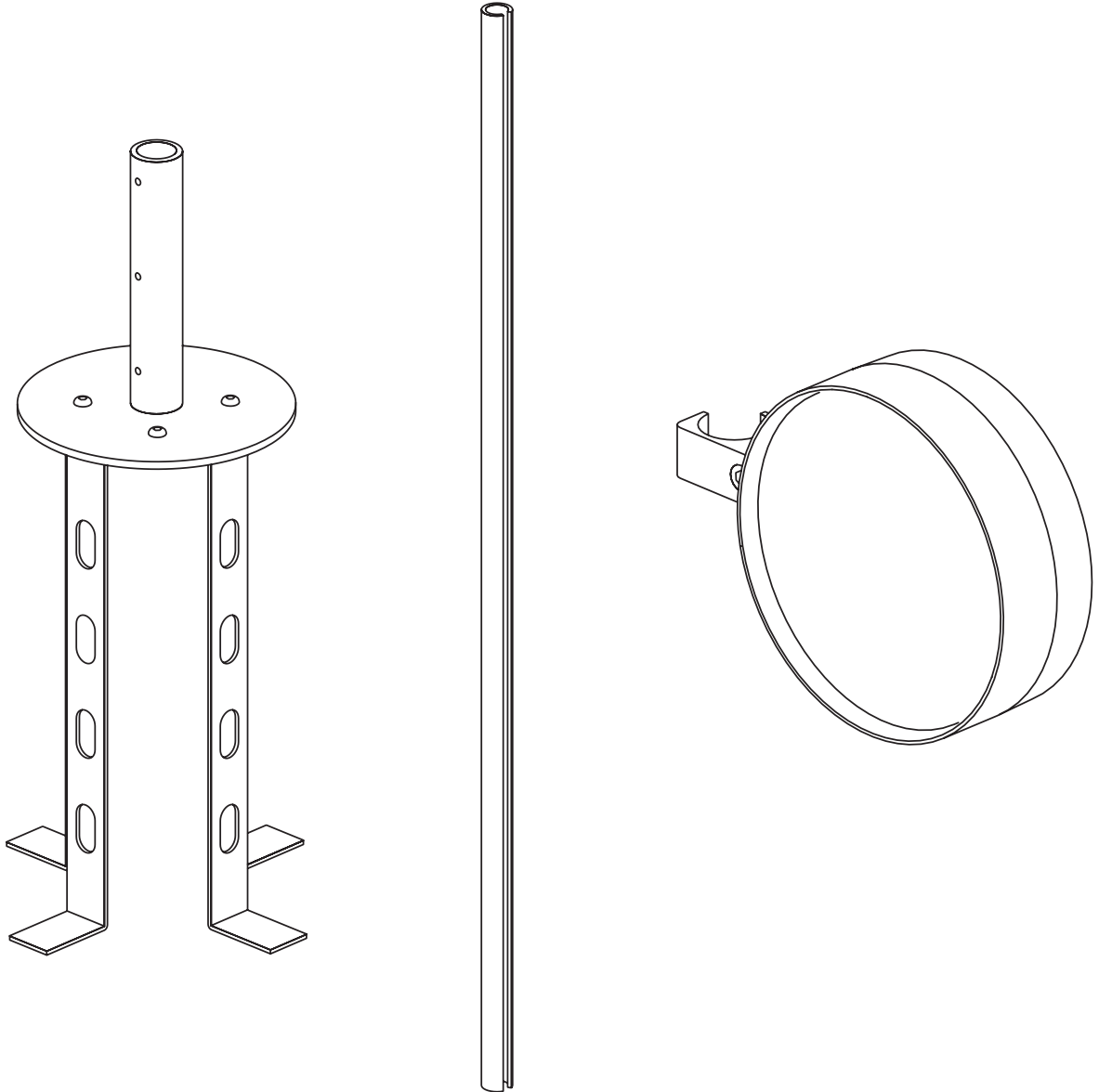


# OUTDOOR / STICK



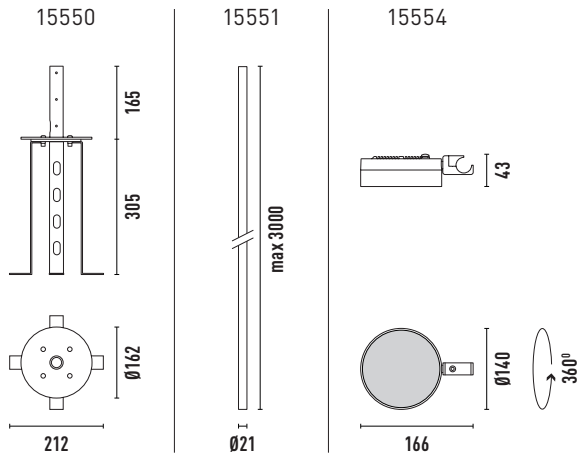
Clight



| OUTDOOR | Pole Lights |

# STICK

This versatile pole light family, adjustable up to 3 meters, is designed to enhance and guide through outdoor spaces. Its multi-axis adjustments and capacity for multiple 'Stick heads' ensure well-lit pathways, making it a perfect tool for illuminating and defining the functions of various areas. Easy to install in gardens, terraces, and more, it suits both tranquil and social settings. With mounting options for walls, ceilings, and floors, it offers a complete and adaptable lighting solution.



W	°K	Lm	Optics	CRI	Protection
10	3000	694	36°	≥90	IP65

## CARTON

dim. L49.5\*W26.5\*H27cm (15550)

L305\*W22\*H16.5cm (15551)

L64.5\*W32\*H26.5cm (15554)

cbm 0.035 (15550), 0.111 (15551),  
0.055 (15554)

pcs. 1 (15550), 25 (15551), 20 (15554)

net w. 2.4kg (15550), 29.3kg (15551),  
12kg (15554)

gross w. 2.9kg (15550), 37.2kg (15551),  
13.8kg (15554)

## FINISHES / SKU

### Black



15550 + 15551 | 512 € 15551

15554

## FEATURES

- Features a movement system enabling a full 360° rotation in one axis.
- Die-cast aluminum body.
- Base Stick (15550) comes with 2 End Caps.
- Pole Stick (15551) comes with 2 End Caps.
- LED light source included.
- Equipped with a 5-meter double cable gland for flexible electrical connection.

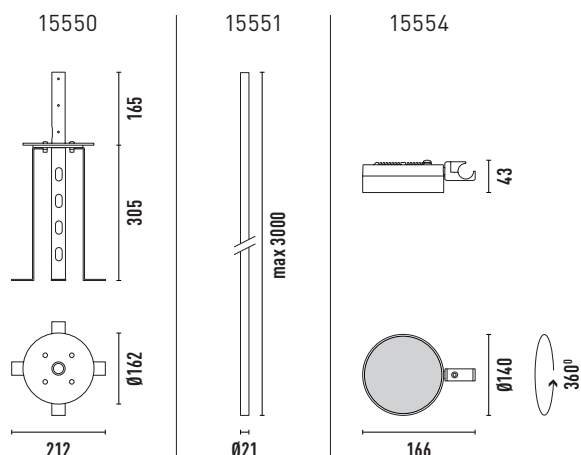






# STICK SHORT

This compact version of Stick Family, ideal for pathway and area lighting, brings focused illumination to outdoor spaces. Customizable up to a shorter height, it's specifically designed for floor installation. It effectively lights up walkways and specific areas, enhancing safety and ambiance. Easy to install, it's perfectly suited for lighting up gardens and open spaces with its targeted and efficient illumination.



W	°K	Lm	Optics	CRI	Protection
10	3000	694	36°	≥90	IP65

## CARTON

dim. L49.5\*W26.5\*H27cm (15550)

L305\*W22\*H16.5cm (15551)

L64.5\*W32\*H26.5cm (15554)

cbm 0.035 (15550), 0.111 (15551),  
0.055 (15554)

pcs. 1 (15550), 25 (15551), 20 (15554)

net w. 2.4kg (15550), 29.3kg (15551),  
12kg (15554)

gross w. 2.9kg (15550), 37.2kg (15551),  
13.8kg (15554)

## FINISHES / SKU

### Black



15550 + 15551 | 512 € 15551

15554 | 482 €

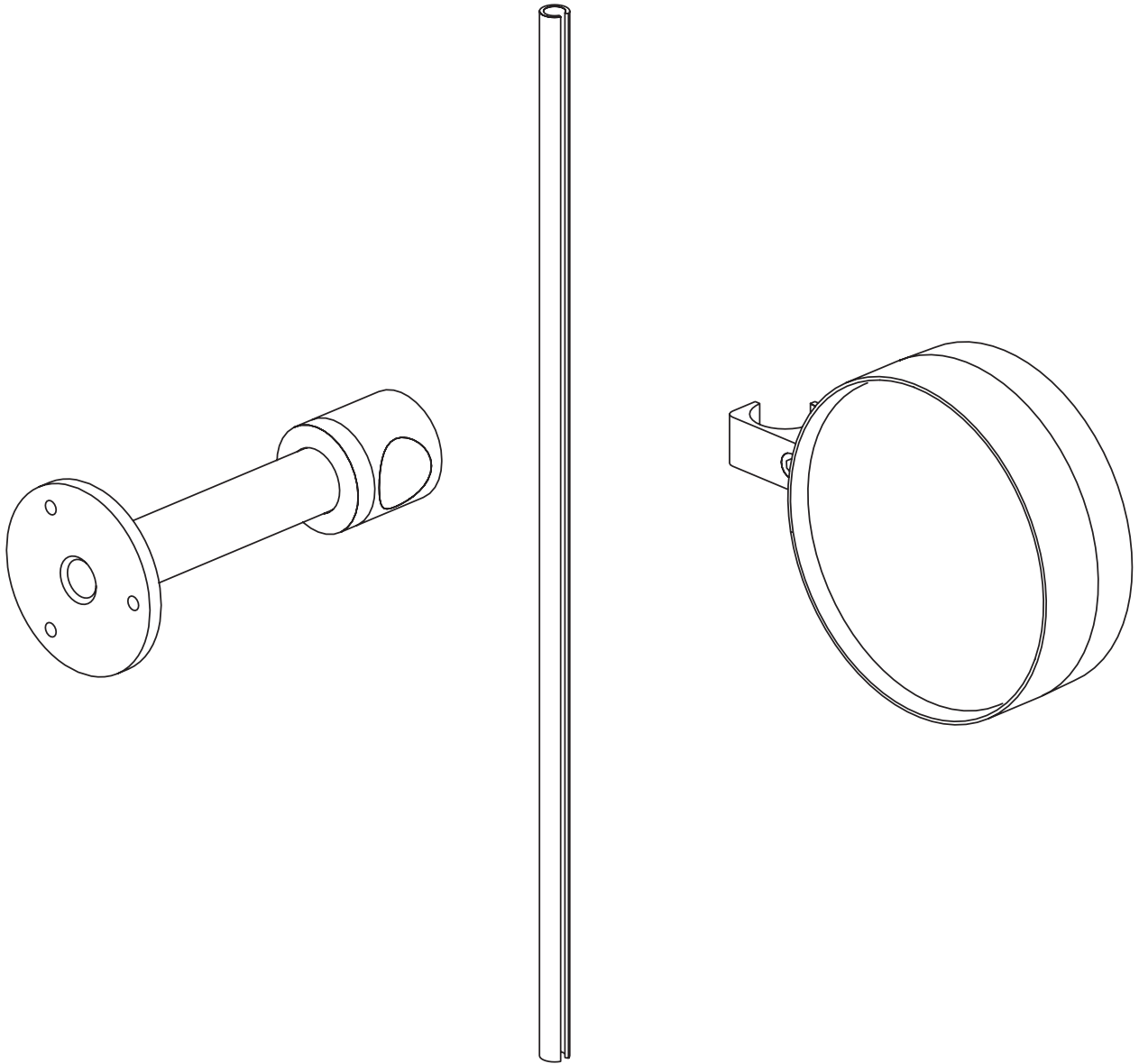
## FEATURES

- Features a movement system enabling a full 360° rotation in one axis.
- Die-cast aluminum body.
- Base Stick (15550) comes with 2 End Caps.
- Pole Stick (15551) comes with 2 End Caps.
- LED light source included.
- Equipped with a 5-meter double cable gland for flexible electrical connection.





# OUTDOOR / STICK WALL/CEILING



Clight

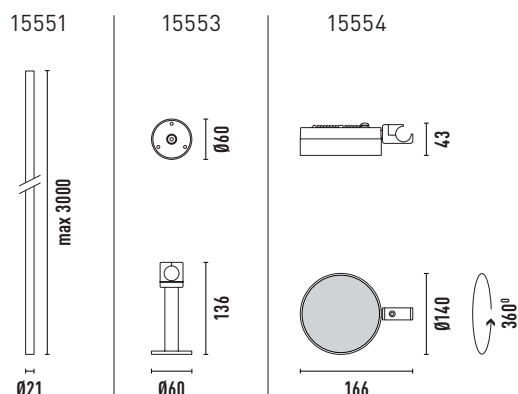






# STICK WALL/CEILING

Enhancing the versatile Stick Family, this model includes a specially designed wall/ceiling base, facilitating seamless installation both indoors and outdoors. Ideal for wall and ceiling applications, it provides harmonious lighting to elevate the ambiance of any space, from outdoor patios to indoor corridors. Its adaptable design ensures focused illumination coupled with aesthetic appeal, making it an exemplary choice for a range of lighting scenarios.



W	°K	Lm	Optics	CRI	Protection
10	3000	694	36°	≥90	IP65

## CARTON

dim. L305\*W22\*H16.5cm (15551)

L50\*W38\*H23cm (15553)

L64.5\*W32\*H26.5cm (15554)

cbm 0.111 (15551), 0.044 (15553),  
0.055 (15554)

pcs. 25 (15551), 30 (15553), 20 (15554)

net w. 29.3kg (15551), 7.8kg (15553),  
12kg (15554)

gross w. 37.2kg (15551), 9.8kg (15553),  
13.8kg (15554)

## FINISHES / SKU

### Black



15551 + 15553 | 203 € 15553

15554 | 148 €

## FEATURES

- Features a movement system enabling a full 360° rotation in one axis.
- Die-cast aluminum body.
- Pole Stick (15551) comes with 2 End Caps.
- Wall/Ceiling Base (15553) comes with 2 End Caps.
- LED light source included.
- Equipped with a 5-meter double cable gland for flexible electrical connection.



**HEADQUARTER**

Beit Ha-Defus St. 12  
9548315 Jerusalem  
Israel

**SHOWROOM**

Hatnufa 7 St.  
9342207 Jerusalem  
Israel

**LOGISTIC CENTER**

Tsela ha-Har St. 47  
7178127 Modein  
Israel

T +972 (2) 6727811/2  
F +972 (2) 6727813

office@clight-led.com  
export@clight-led.com

# Clight

by **Cabasso Group**