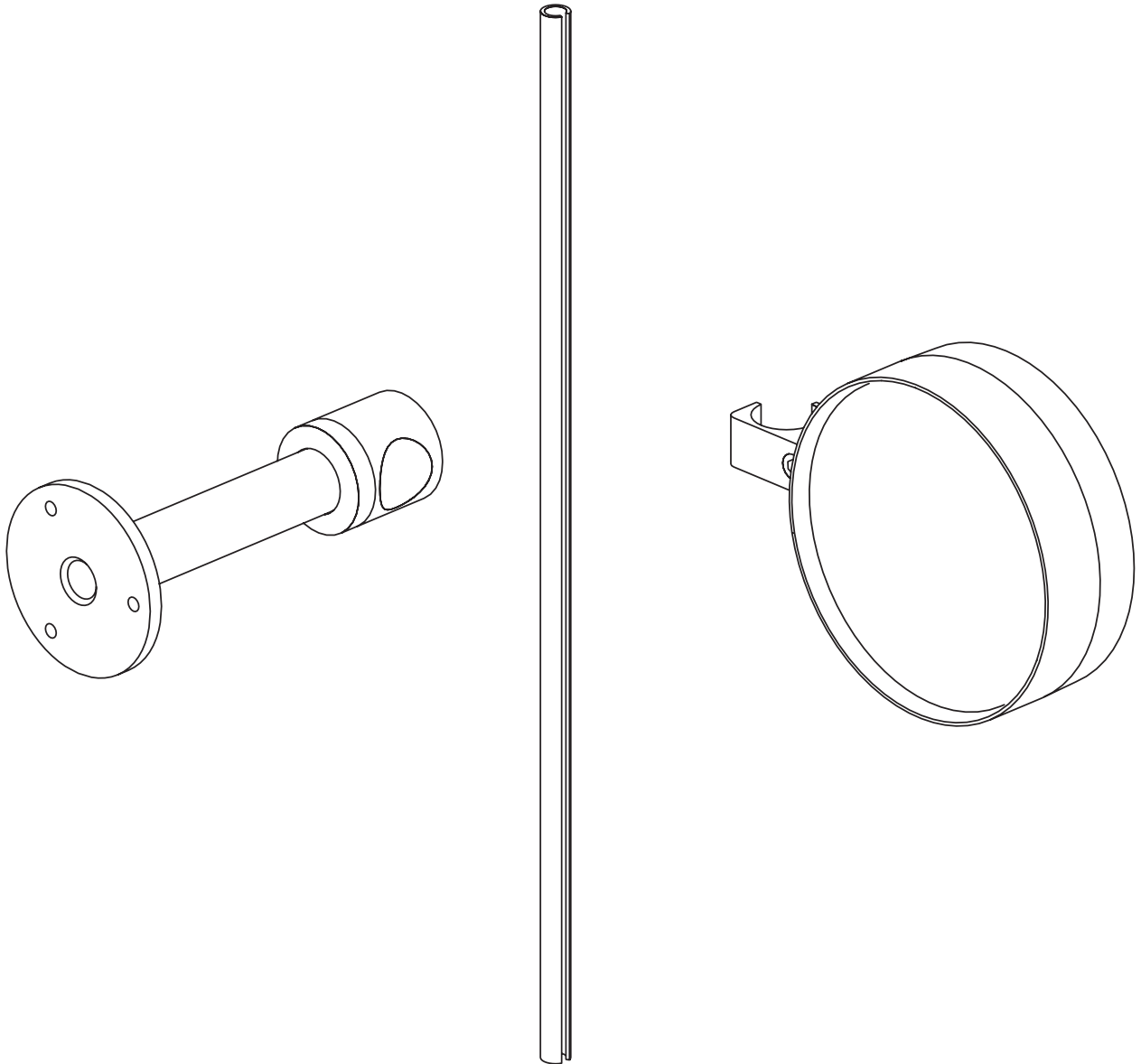


OUTDOOR / STICK WALL/CEILING

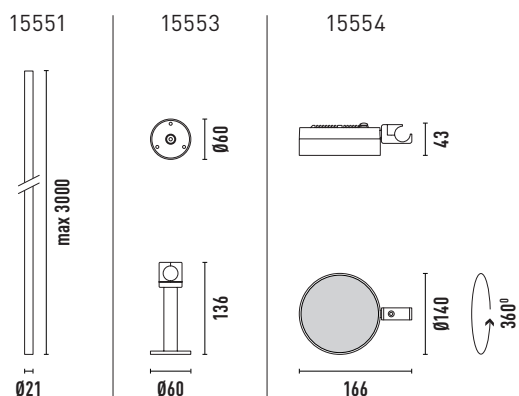


Clight



STICK WALL/CEILING

Enhancing the versatile Stick Family, this model includes a specially designed wall/ceiling base, facilitating seamless installation both indoors and outdoors. Ideal for wall and ceiling applications, it provides harmonious lighting to elevate the ambiance of any space, from outdoor patios to indoor corridors. Its adaptable design ensures focused illumination coupled with aesthetic appeal, making it an exemplary choice for a range of lighting scenarios.



W	°K	Lm	Optics	CRI	Protection
10	3000	694	36°	≥90	IP65

CARTON

dim. L305*W22*H16.5cm (15551)
 L50*W38*H23cm (15553)
 L64.5*W32*H26.5cm (15554)
 cbm 0.111 (15551), 0.044 (15553),
 0.055 (15554)
 pcs. 25 (15551), 30 (15553), 20 (15554)
 net w. 29.3kg (15551), 7.8kg (15553),
 12kg (15554)
 gross w. 37.2kg (15551), 9.8kg (15553),
 13.8kg (15554)

FINISHES / SKU

Black

15551 + 15553 203 €	15553	15554 482 €
-----------------------	-------	---------------

FEATURES

- Features a movement system enabling a full 360° rotation in one axis.
- Die-cast aluminum body.
- Pole Stick (15551) comes with 2 End Caps.
- Wall/Ceiling Base (15553) comes with 2 End Caps.
- LED light source included.
- Equipped with a 5-meter double cable gland for flexible electrical connection.



HEADQUARTER

Beit Ha-Defus St. 12
9548315 Jerusalem
Israel

SHOWROOM

Hatnufa 7 St.
9342207 Jerusalem
Israel

LOGISTIC CENTER

Tsela ha-Har St. 47
7178127 Modein
Israel

T +972 (2) 6727811/2
F +972 (2) 6727813

office@clight-led.com
export@clight-led.com

Clight

by **Cabasso Group**