

low
voltage
system

MOTION

Clight

www.clight-led.com



FLOW

low voltage system

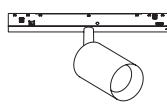


TRACKS

4

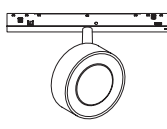
TON

10



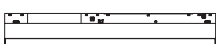
TOMI

12



LIGHT STRIPE

14



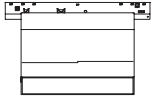
DOTS

16



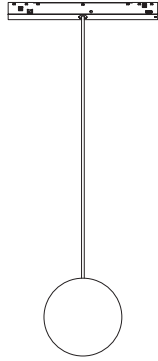
OUT

18



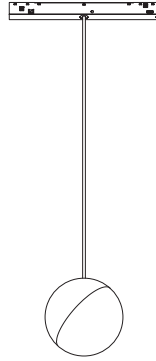
GLASS BALL

20



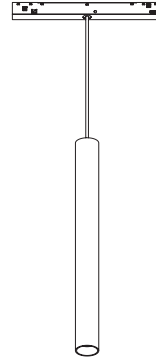
MOON

22



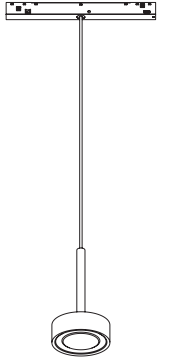
HANGING RAIN

24



HANGING TOMI

26



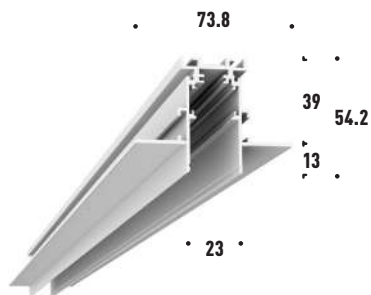
TRACKS



- Low Voltage System.
- Minimal design.
- Different kinds of applications.
- Wide range of accessories.



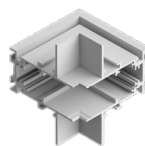
RECESSED



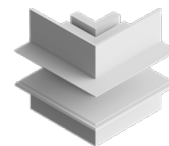
1m TRACK | 15325M
Different Lengths | upon request



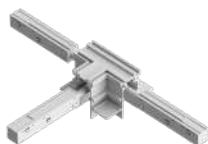
"L" CONNECTOR | 15326



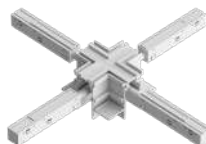
"L" CONNECTOR IN | 15327



"L" CONNECTOR OUT | 15328

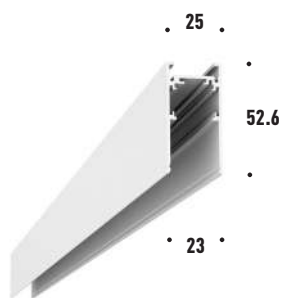


"T" CONNECTOR | 15380



"X" CONNECTOR | 15378

SURFACE/ SUSPENDED*



1m TRACK | 15276M
Different Lengths | upon request



DRIVER 250W** | 15429



DRIVER 200W** | 15357



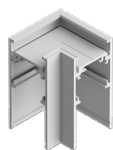
DRIVER 100W** | 15277



"T" CONNECTOR | 15384



"X" CONNECTOR | 15382



"L" CONNECTOR | 15332



HANGING KIT* Chrome | 15355
 Black | 15243



CONNECTOR STRAIGHT | 15376



LIVE END | 15281



LIVE END DIM | 15333



CONNECTOR | 15334

** Drivers to be used on surface tracks which will be installed on concrete.

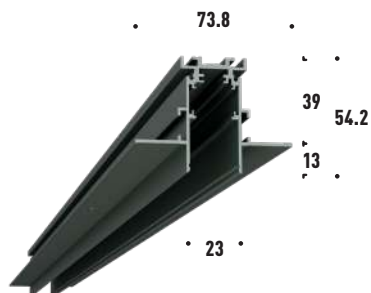
TRACKS



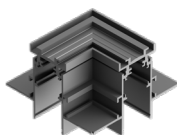
- Low Voltage System.
- Minimal design.
- Different kinds of applications.
- Wide range of accessories.



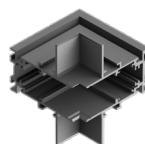
RECESSED



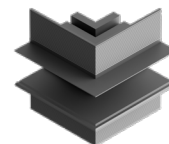
1m TRACK | 15327M
Different Lengths | upon request



"L" CONNECTOR | 15238



"L" CONNECTOR IN | 15239



"L" CONNECTOR OUT | 15240

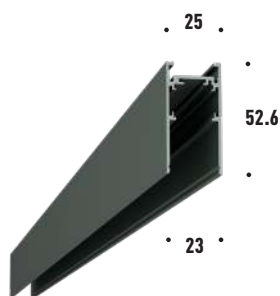


"T" CONNECTOR | 15379



"X" CONNECTOR | 15377

SURFACE/ SUSPENDED*



1m TRACK | 15242M
Different Lengths | upon request



DRIVER 250W** | 15428



DRIVER 200W** | 15356



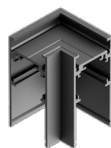
DRIVER 100W** | 15272



"T" CONNECTOR | 15383



"X" CONNECTOR | 15381



"L" CONNECTOR | 15244



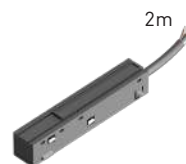
HANGING KIT* Black | 15243
 Chrome | 15355



CONNECTOR STRAIGHT | 15375



LIVE END | 15280



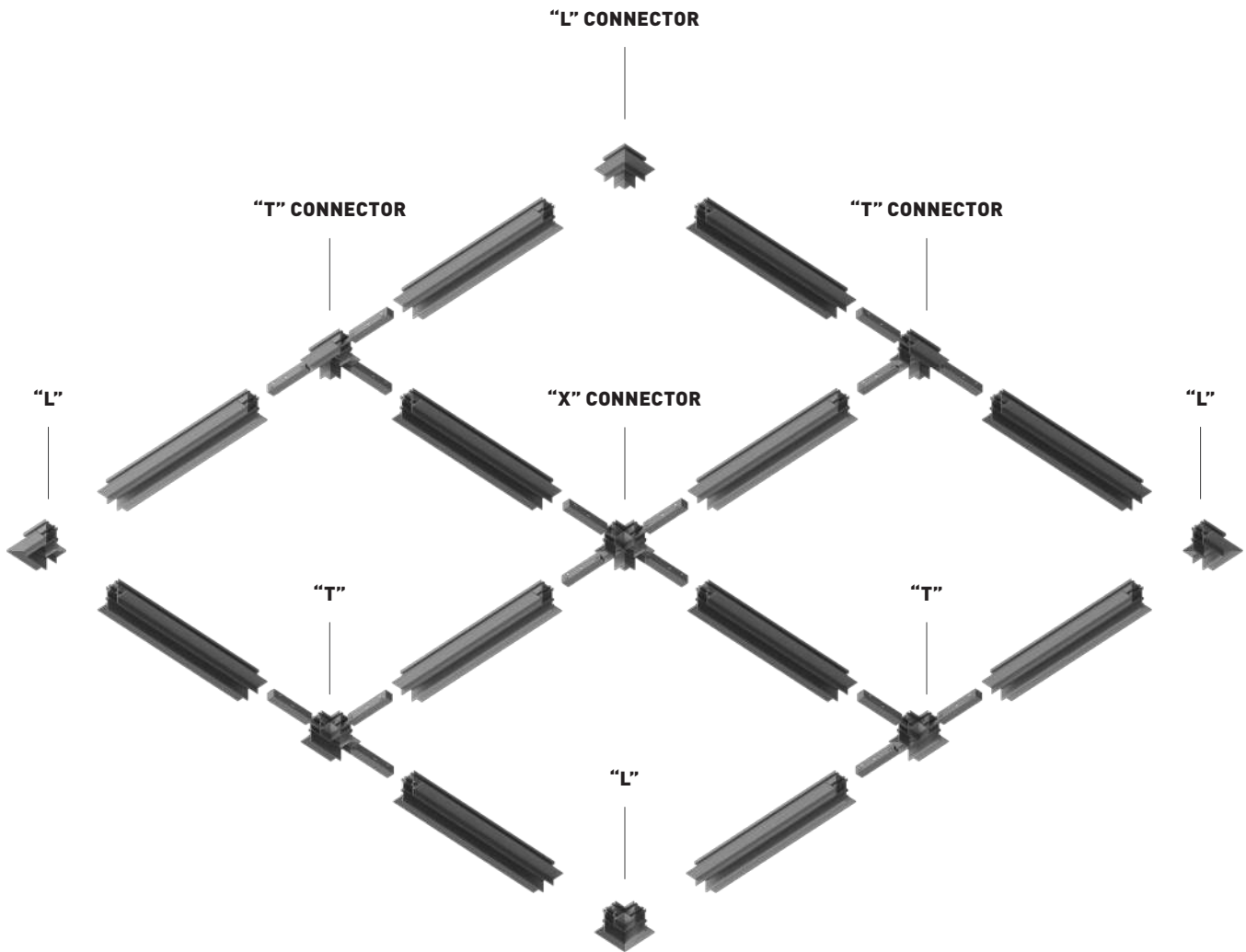
LIVE END DIM | 15247



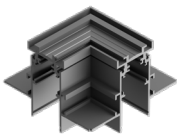
CONNECTOR | 15248

** Drivers to be used on surface tracks which will be installed on concrete.

TRACKS CONNECTORS



RECESSED



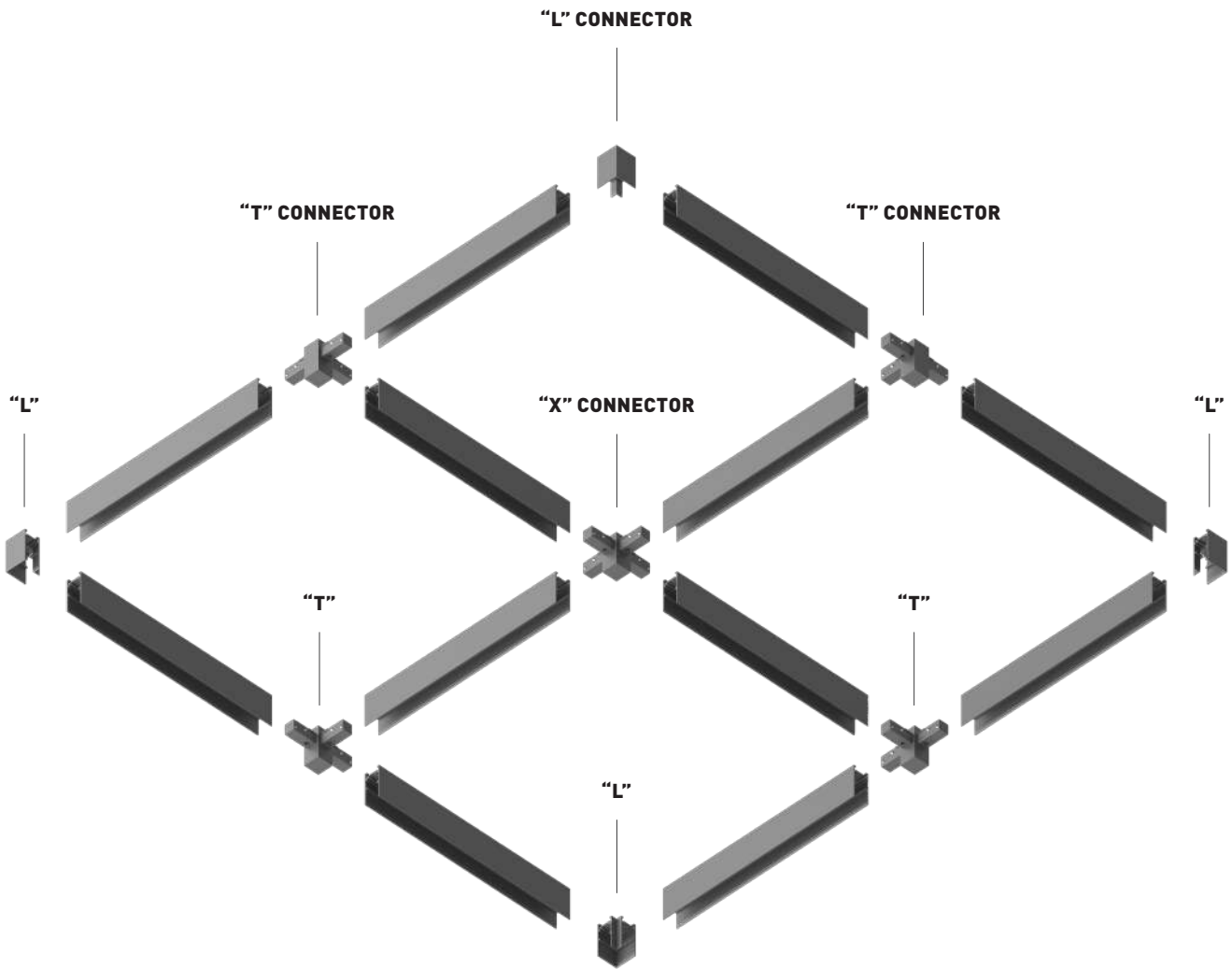
"L" CONNECTOR | B-15238
| W-15326



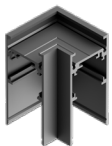
"T" CONNECTOR | B-15379
| W-15380



"X" CONNECTOR | B-15377
| W-15378



SURFACE/SUSPENDED



"L" CONNECTOR | B-15244
| W-15332



"T" CONNECTOR | B-15383
| W-15384



"X" CONNECTOR | B-15381
| W-15382

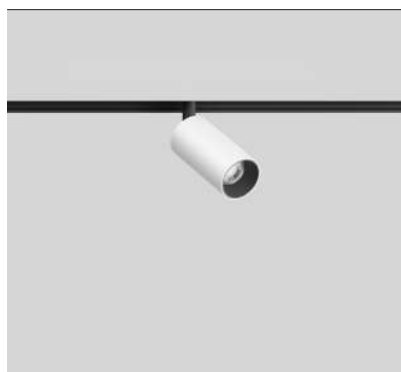
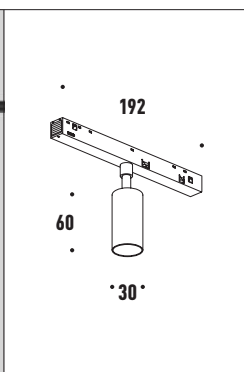
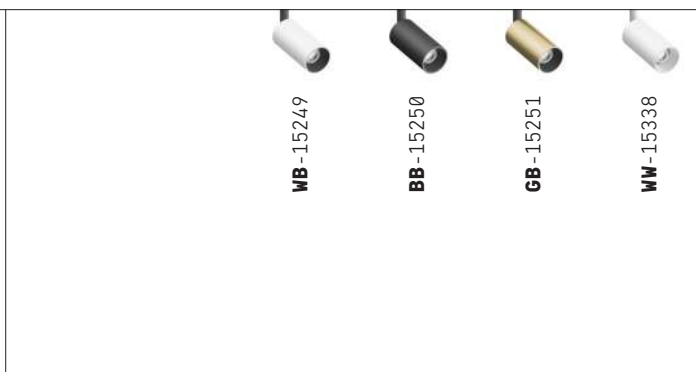
TON



- Excellent optical control.
- Wide range of accessories.
- Integration with Low Voltage.
- DALI version available.
- CRI 90.



OPTIONS

		
---	---	--

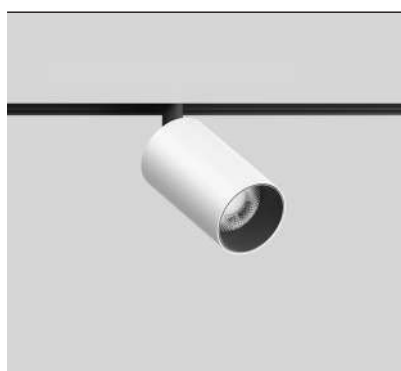
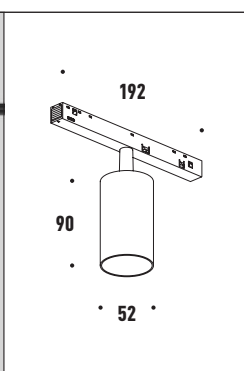
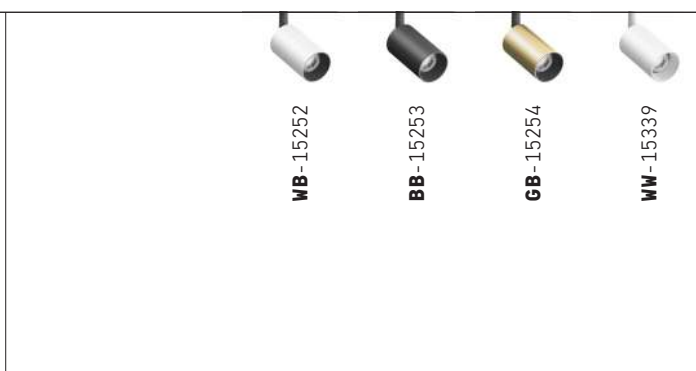
TON 6W

lm	K	W	Control	Lens	Dimming	
420	3000	6	On-Off	24°	0-10V* 15278	
					36°* 15362	50°* 15363

Dimming

0-10V* 15278

DALI* 15279

		
--	--	---

TON 11W

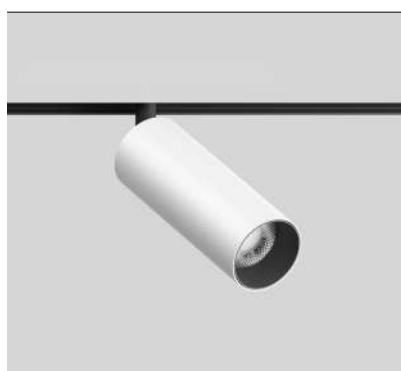
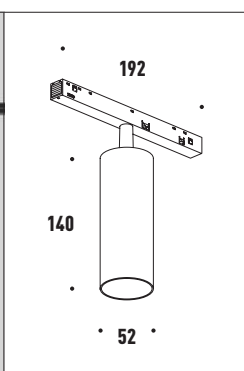
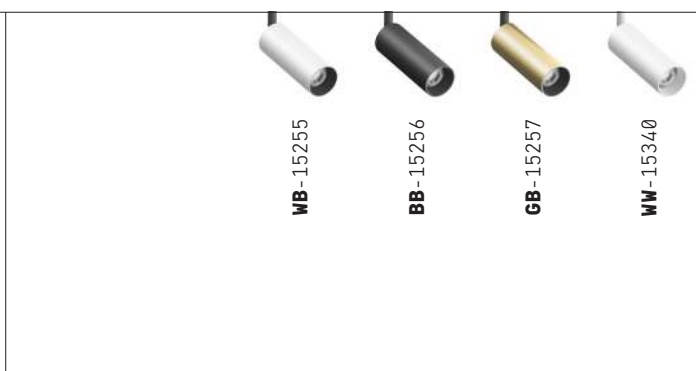
lm	K	W	Control	Lens	Dimming	
925	3000	11	On-Off	30°	0-10V* 15278	
					15°* 15265	50°* 15266

Dimming

0-10V* 15278

DALI* 15279



		
---	---	--

TON 16W

lm	K	W	Control	Lens	Dimming	
1310	3000	16	On-Off	30°	0-10V* 15278	
					15°* 15265	50°* 15266

Dimming

0-10V* 15278

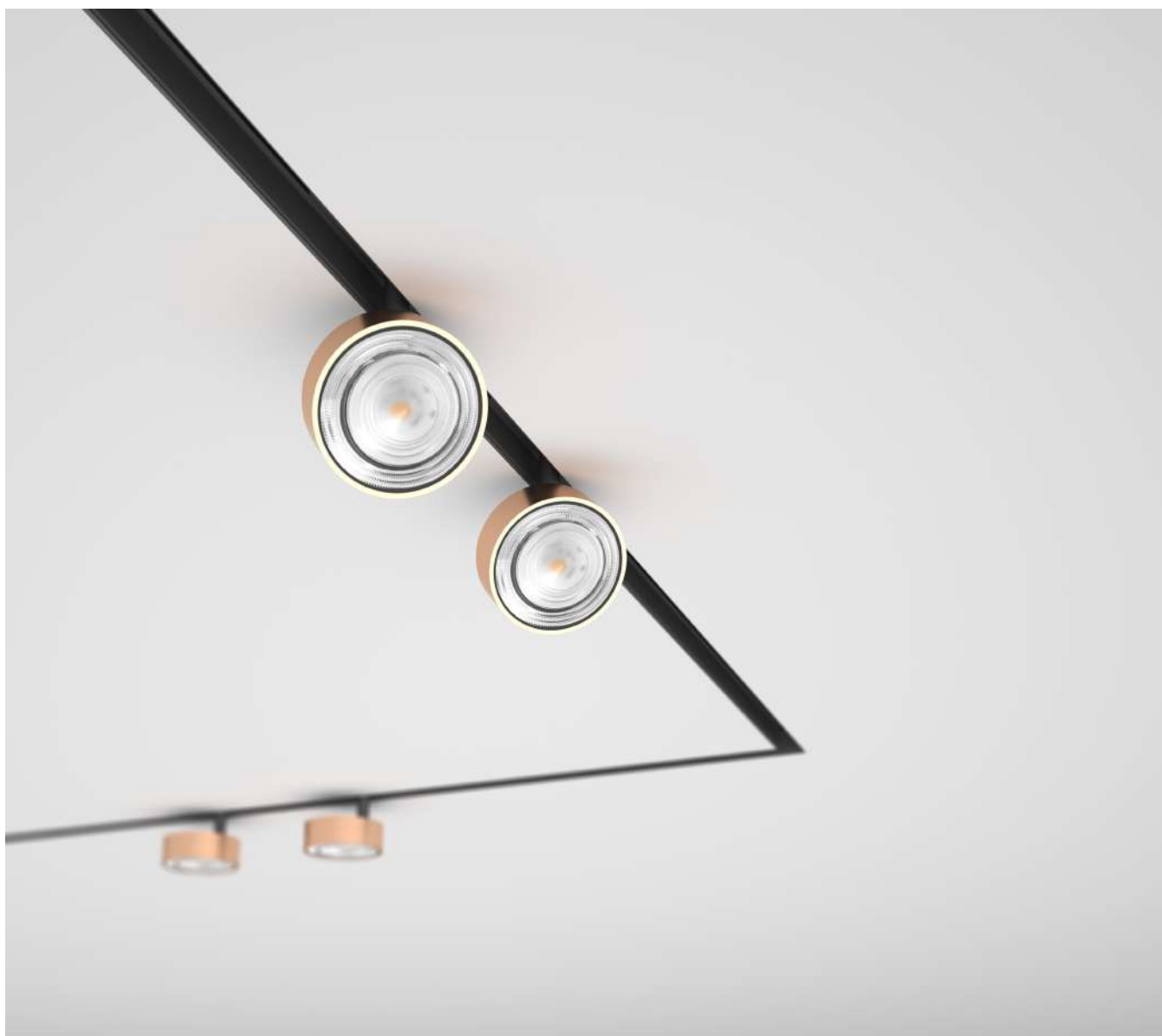
DALI* 15279



* not included


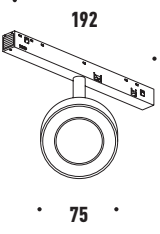


TOMI

- Excellent optical control.
- Available in different finishes.
- Integration with Low Voltage.
- DALI version available.
- CRI 90.




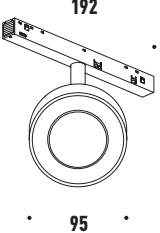




OPTIONS

			 <p>Total White-15360</p>	 <p>Total Black-15361</p>
--	--	--	---	---

TOMI 9W

lm	K	W	Control	Lens	Dimming	Brushed Gold*	Brushed Rose Gold*	Brushed Chrome*	Matt White*
640	3000	9	On-Off	40°	0-10V* 15278	15348	15350	15352	15354
					DALI* 15279				
					15°* 15346				

			 <p>Total White-15358</p>	 <p>Total Black-15359</p>
---	---	--	---	---

TOMI 13W

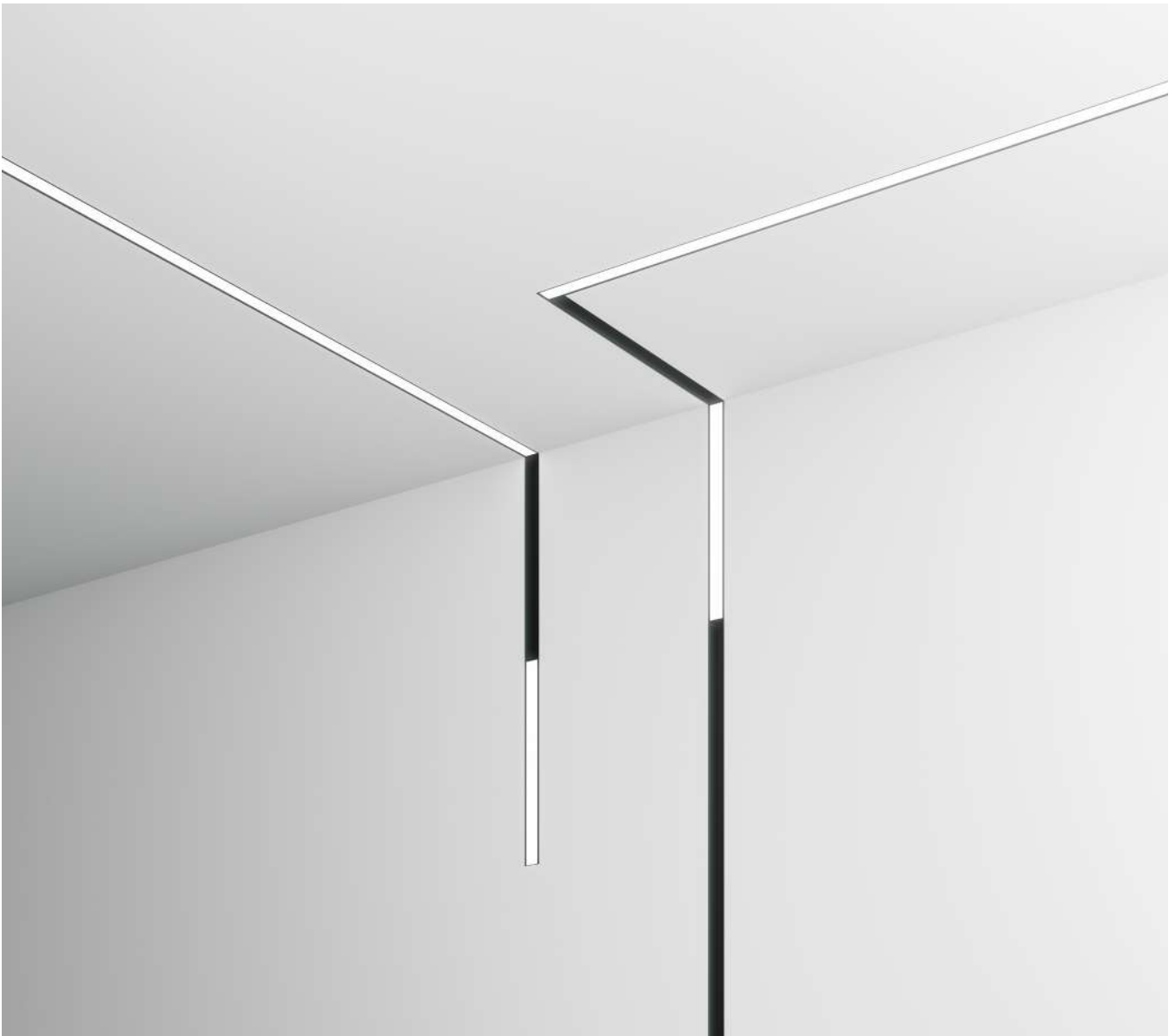
lm	K	W	Control	Lens	Dimming	Brushed Gold*	Brushed Rose Gold*	Brushed Chrome*	Matt White*
1260	3000	13	On-Off	30°	0-10V* 15278	15347	15349	15351	15353
					DALI* 15279				
					15°* 15345				

* not included

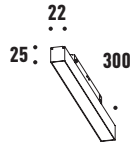
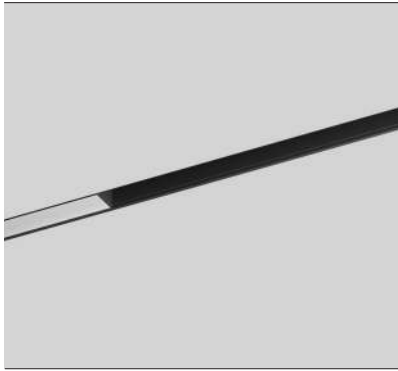
LIGHT STRIPE



- Clean minimal design.
- Diffused light effect.
- Integration with Low Voltage.
- DALI version available.



OPTIONS

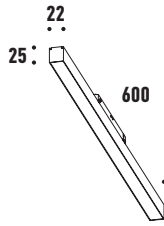
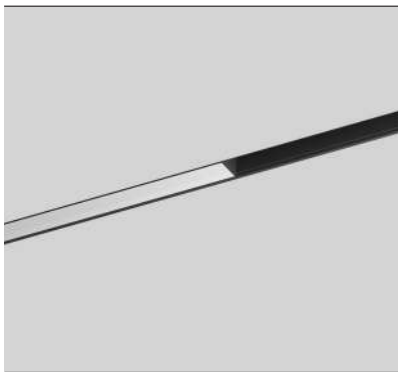


B-15260

W-15335

LIGHT STRIPE 30cm

lm	K	W	Control	Lens	Dimming
625	3000	14	On-Off	90°	0-10V* 15278 DALI* 15279

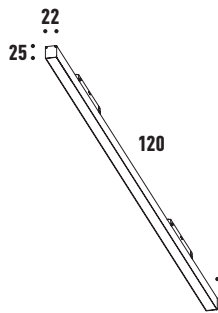
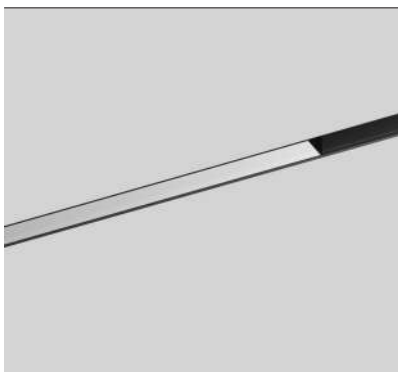


B-15261

W-15336

LIGHT STRIPE 60cm

lm	K	W	Control	Lens	Dimming
1090	3000	20	On-Off	90°	0-10V* 15278 DALI* 15279



B-15262

W-15337

LIGHT STRIPE 120cm

lm	K	W	Control	Lens	Dimming
1850	3000	30	On-Off	90°	0-10V* 15278 DALI* 15279

* not included

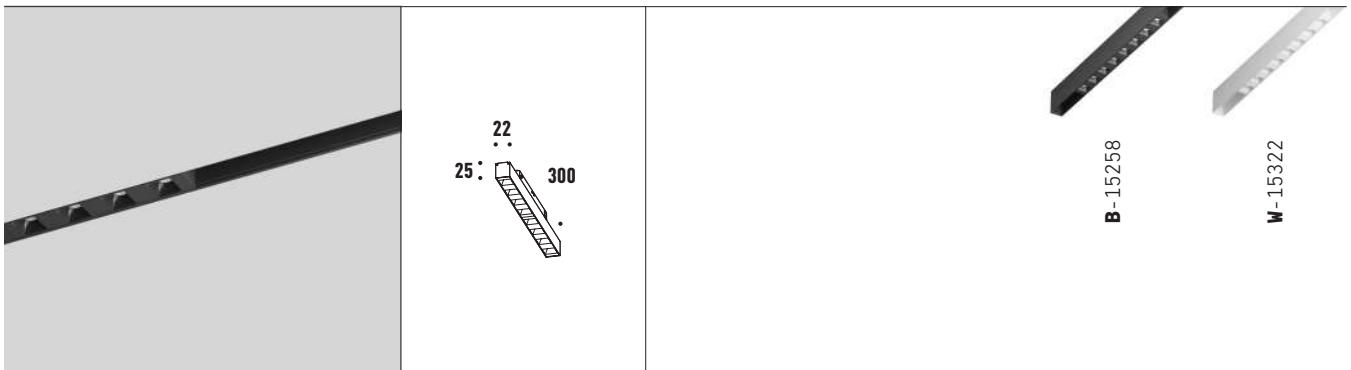
DOTS

- Excellent optical control.
- Dark Light effect.
- Integration with Low Voltage.
- DALI version available.
- CRI 90.



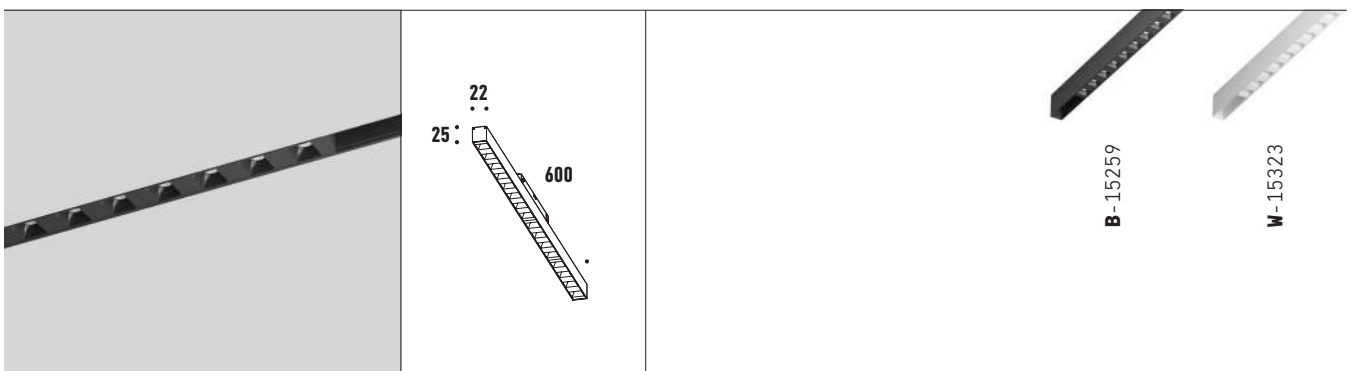


OPTIONS



DOTS 30cm

lm	K	W	Control	Lens	Dimming
1320	3000	14	On-Off	24°	0-10V* 15278
					DALI* 15279



DOTS 60cm

lm	K	W	Control	Lens	Dimming
1955	3000	20	On-Off	24°	0-10V* 15278
					DALI* 15279

* not included

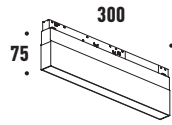
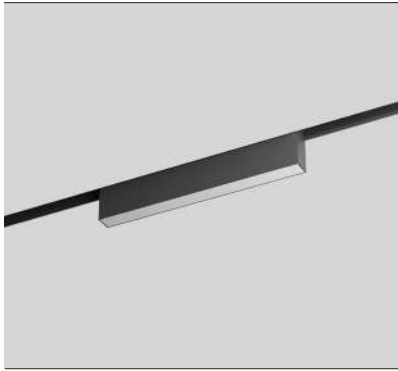
OUT



- Clean minimal design.
- Diffused light effect.
- Integration with Low Voltage.
- DALI version available.



OPTIONS

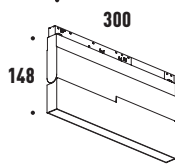
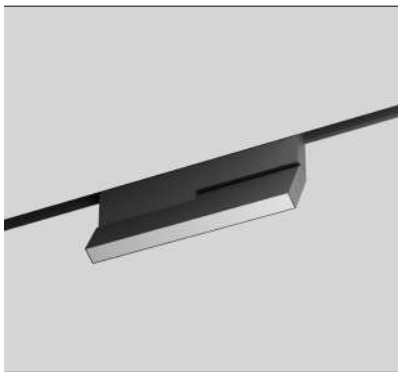


B-15316

W-15317

OUT 30cm

lm	K	W	Control	Lens	Dimming
2180	3000	25	On-Off	90°	0-10V* 15278
					DALI* 15279

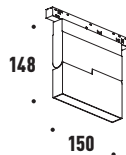
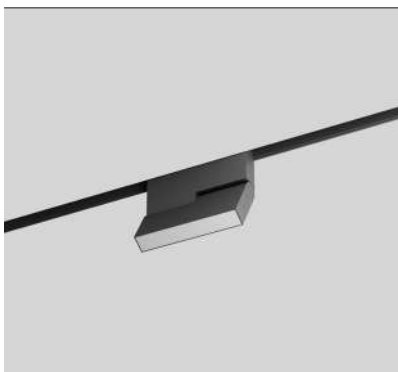


B-15318

W-15319

BOOK 30cm

lm	K	W	Control	Lens	Dimming
2180	3000	25	On-Off	90°	0-10V* 15278
					DALI* 15279



B-15320

W-15321

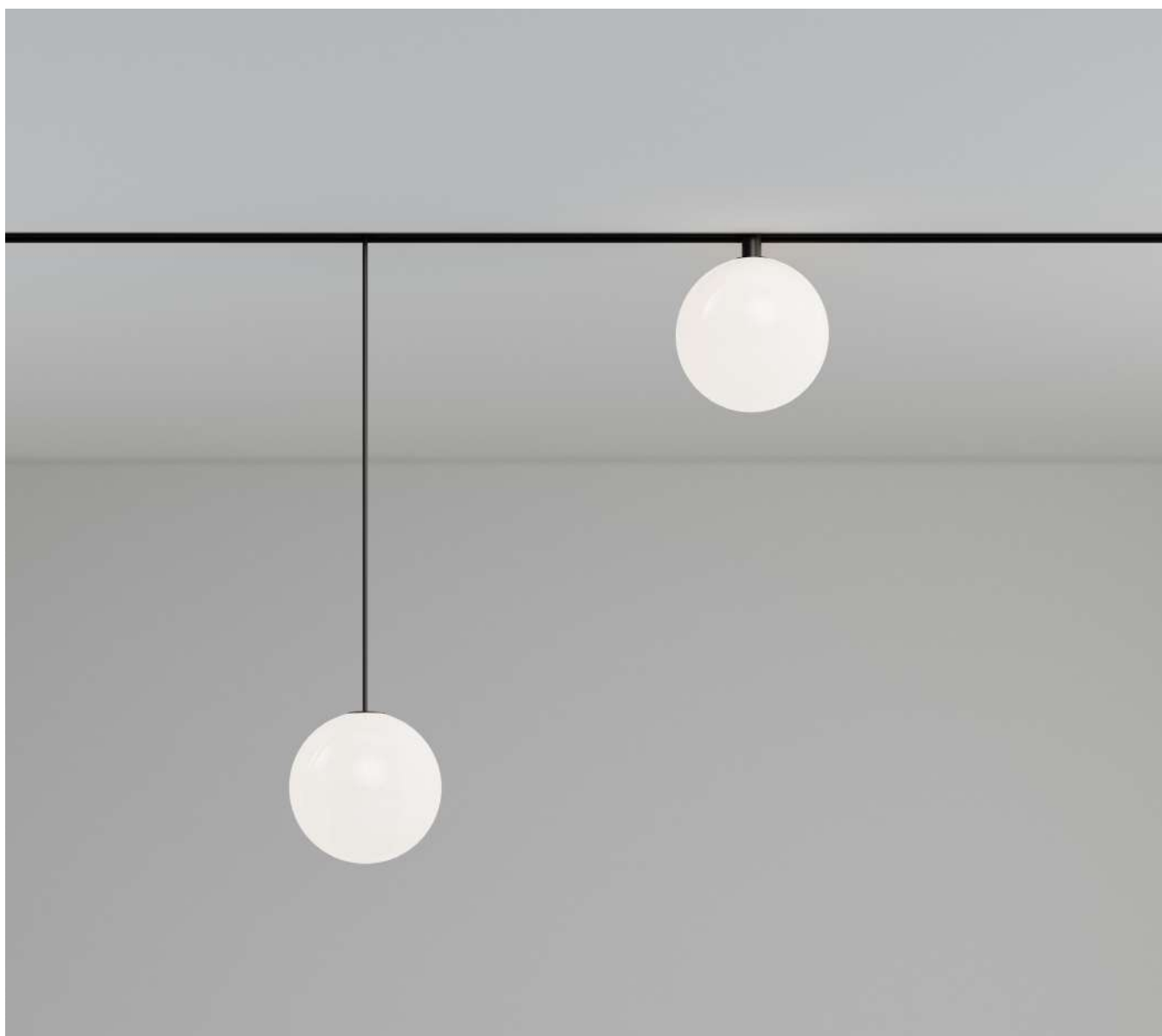
BOOK 15cm

lm	K	W	Control	Lens	Dimming
1035	3000	15	On-Off	90°	0-10V* 15278
					DALI* 15279

* not included

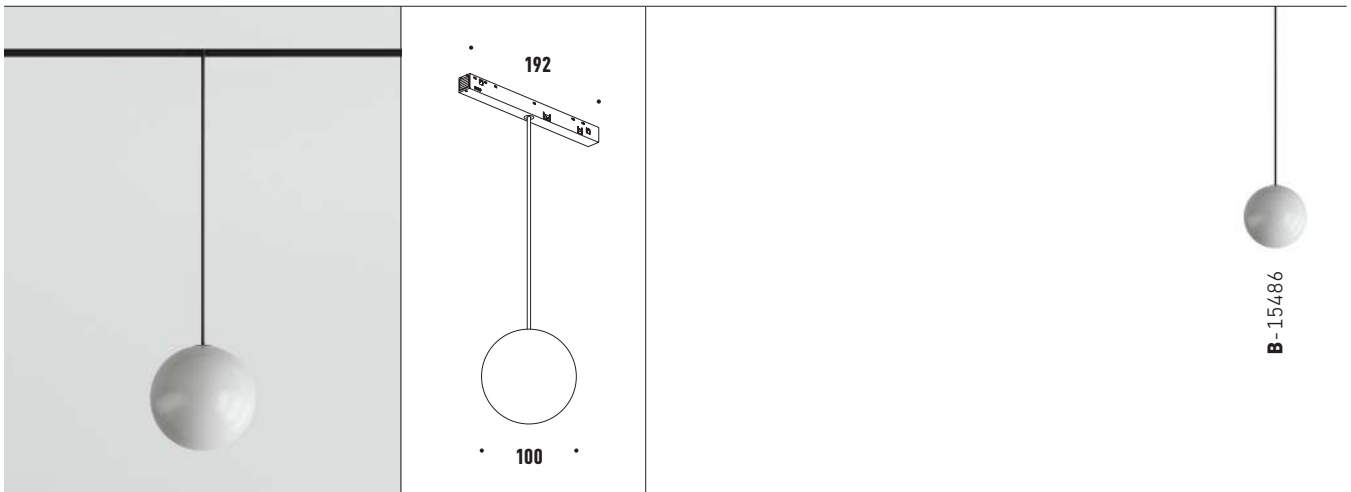
GLASS BALL

- Clean minimal design.
- Diffused light effect.
- Available in different finishes.
- Integration with Low Voltage.
- DALI version available.
- CRI 90.



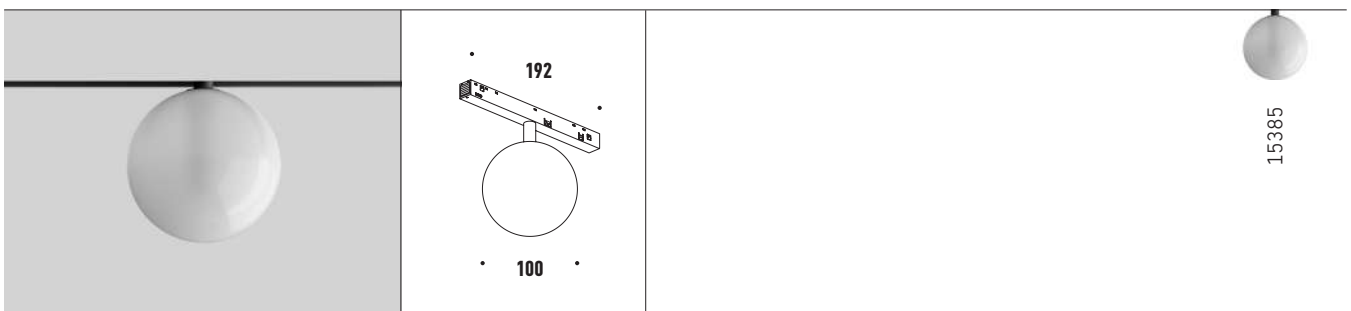


OPTIONS



Hanging GLASS BALL

lm	K	W	Control	Lens	Dimming
213	3000	5	On-Off	90°	0-10V* 15278
					DALI* 15279



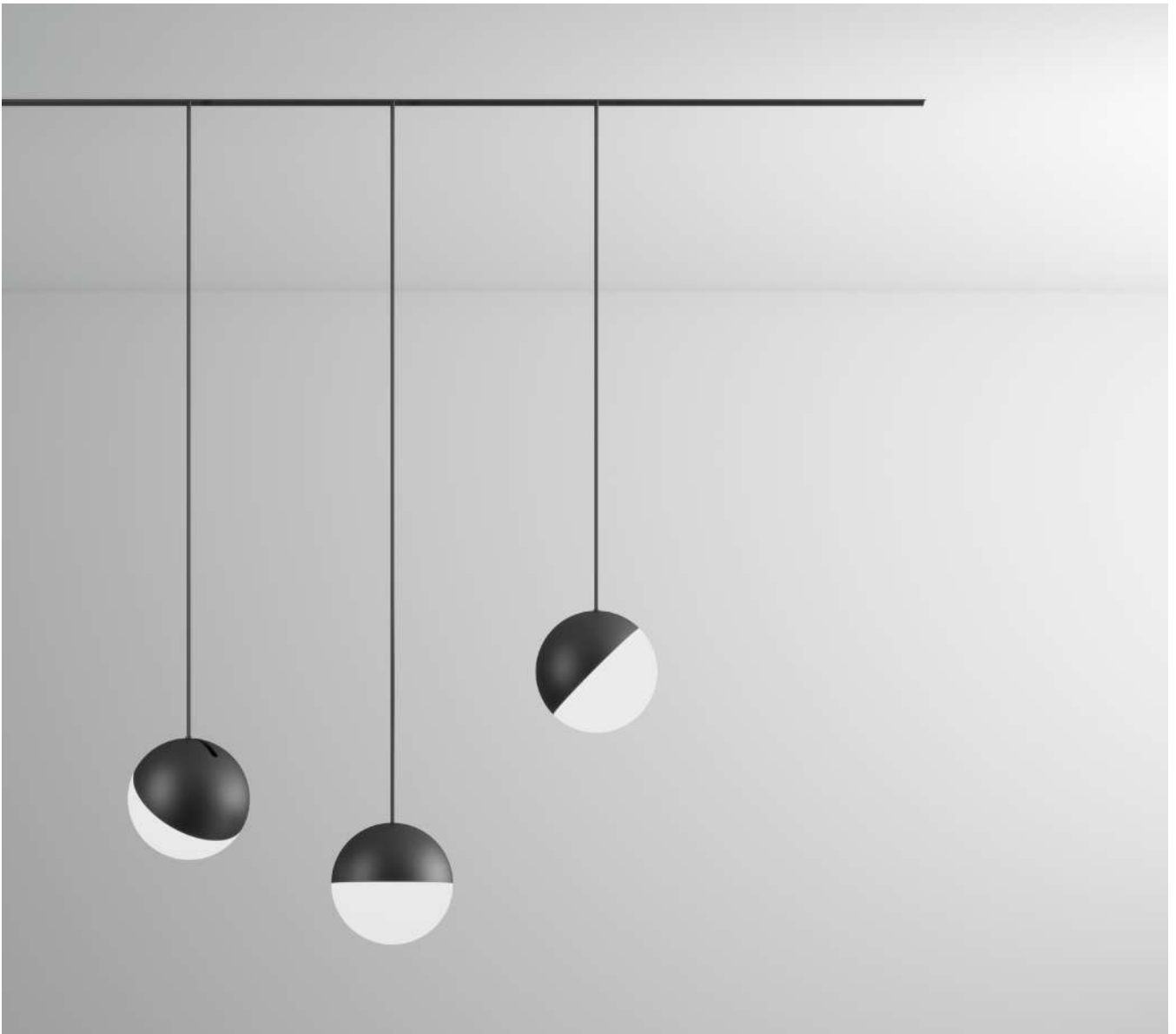
GLASS BALL

lm	K	W	Control	Lens	Dimming
216	3000	4.5	On-Off	90°	0-10V* 15278
					DALI* 15279

* not included

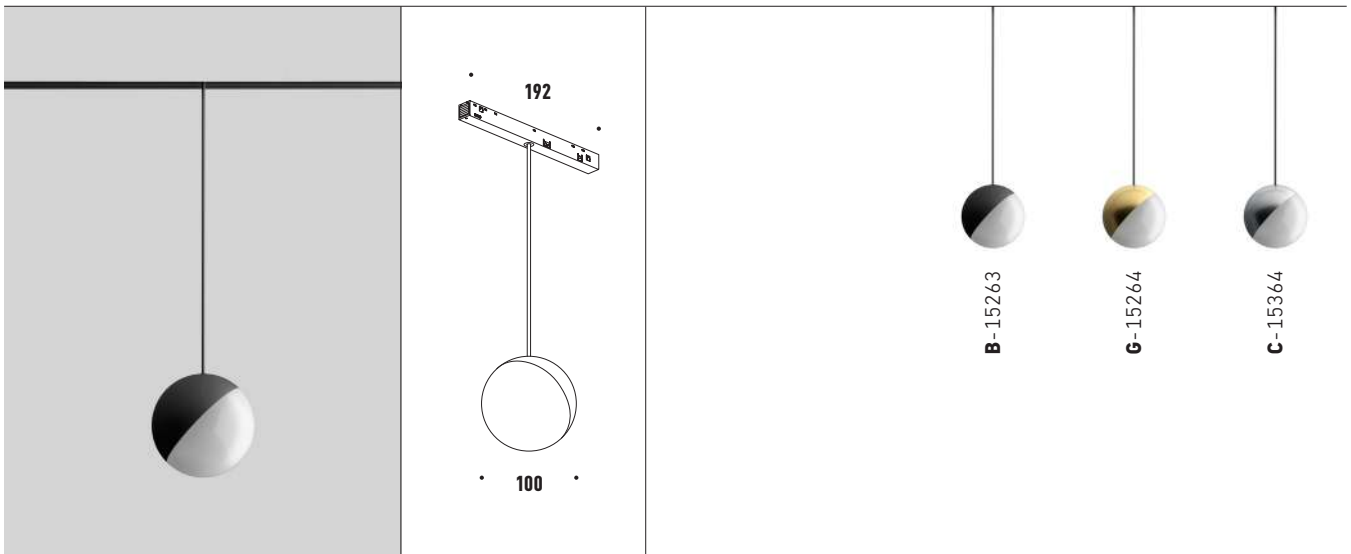
MOON

- Clean minimal design.
- Diffused light effect.
- Available in different finishes.
- Integration with Low Voltage.
- DALI version available.





OPTIONS



MOON

lm	K	W	Control	Lens	Dimming
260	3000	8	On-Off	90°	0-10V* 15278
					DALI* 15279

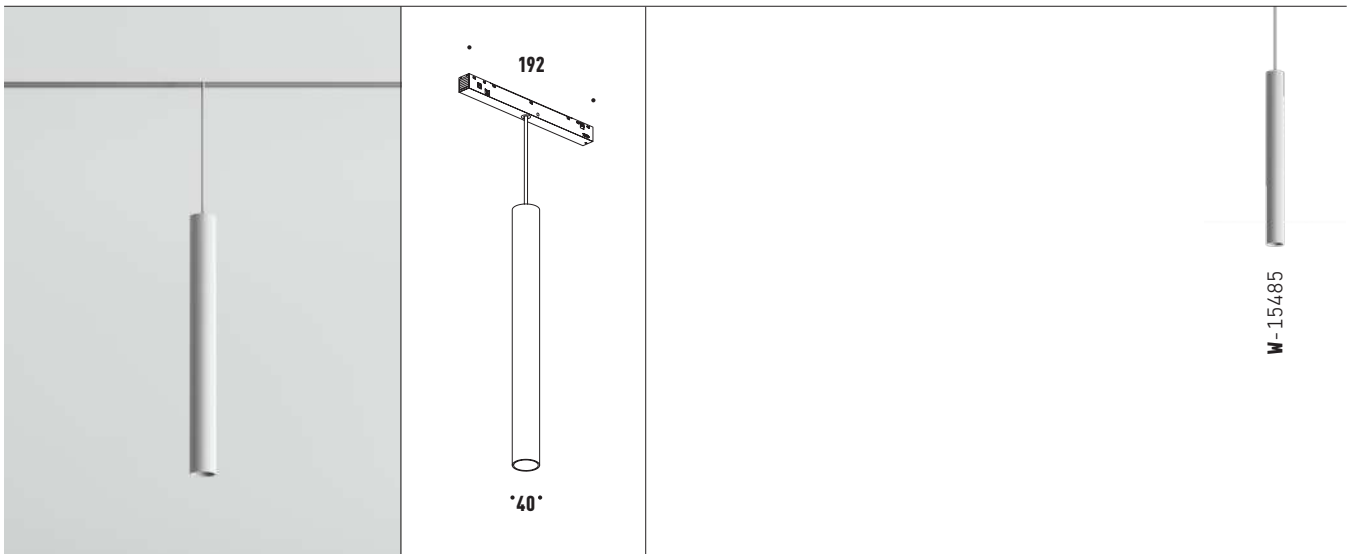
Hanging RAIN

- Clean minimal design.
- Diffused light effect.
- Available in different finishes.
- Integration with Low Voltage.
- DALI version available.
- CRI 90.





OPTIONS



Hanging RAIN

lm	K	W	Control	Lens	Dimming
476	3000	8	On-Off	27°	0-10V* 15278
					DALI* 15279

* not included

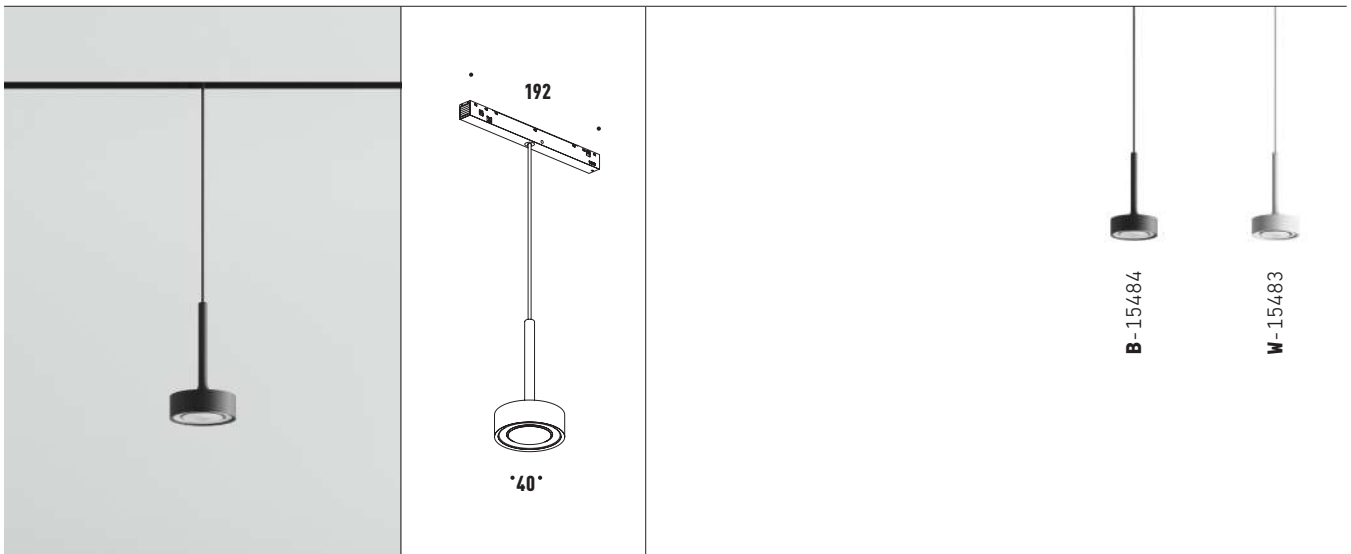
Hanging TOMI

- Clean minimal design.
- Diffused light effect.
- Available in different finishes.
- Integration with Low Voltage.
- DALI version available.
- CRI 90.





OPTIONS



Hanging TOMI

lm	K	W	Control	Lens	Dimming
624	3000	7	On-Off	49°	0-10V* 15278
					DALI* 15279

* not included



FLOW

low voltage system

We Are C-LIGHT

As a dynamic, young company, we prioritize advanced LED technology in our products. With all key development processes managed in-house, we have the agility to produce custom designs and rapidly create new collections that align with the latest trends.

DESIGNED IN EUROPE MADE IN CHINA

Our factory, located in Zhongshan, China, allows us to achieve cost efficiencies that we pass directly to our customers.

At C-light, collaboration with European lighting designers is key to developing custom lights that meet the highest technical standards. We commit to using the finest materials available and implement rigorous Quality Checks for each product. The result is premium quality lighting solutions offered at a reasonable price.

HEADQUARTER

Beit Ha-Defus St. 12
9548315 Jerusalem
Israel

SHOWROOM

Hatnufa 7 St.
9342207 Jerusalem
Israel

LOGISTIC CENTER

Tsela ha-Har St. 47
7178127 Modein
Israel

T +972 (2) 6727811/2
F +972 (2) 6727813

office@clight-led.com
export@clight-led.com

Clight
by **Cabasso Group**